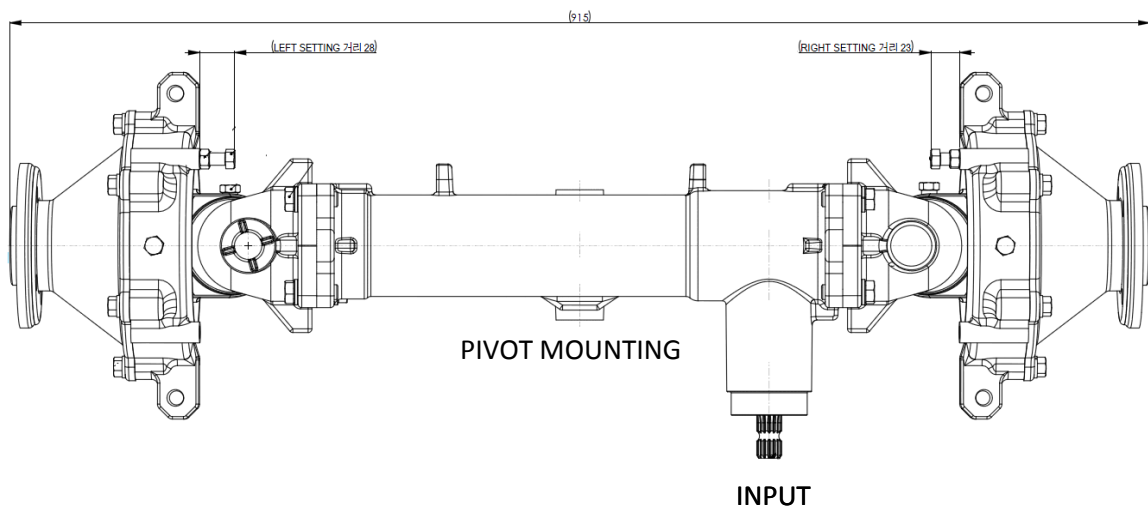
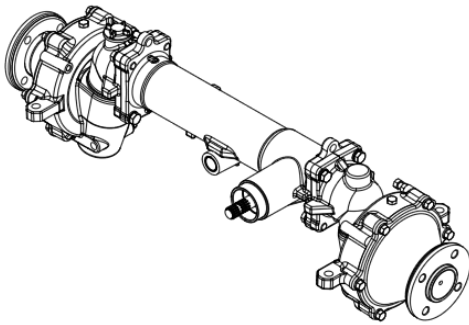


SEIL'S AXLE AGRICULTURAL EQUIPMENT SECTION

Date : 2016.03.23

Axles Lay-Out



Axles Data

Model	units	SK0FA	remark
Input engine power	ps	18	
Input max allowable	rpm	2,000	
Peak torque at wheel	Nm	1,350	
Total Gear Ratio	i	8.37	
Dynamic Load Capacity	kN	7.0	
Static Loadk Capacity	kN	Contact To Seil Tech.	
Flange to Flange Distance	mm	915	about
Camber Angel	deg	3±1	
Wheel rim pcd	mm	P.C.D 101.6	
Pilot Dia	mm	63.8 -0.05/-0.35	
Wheel Tap Specs.		4-9/16-18UNF THRU	
Brakes		Without	
Differential		With	
Steering Angle	deg	Right 52, Left 46	
Steering Sensor		without	
Front loader operation			

More Detail Data, Contact To Seil R&D